

LIGNOLOC® NAILING HEAD AUTOMATIC FOR GANTRY

LL5390W

Code : 101LL5390W

■ Technical description

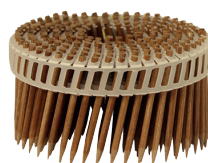
Code	101LL5390W
Dimensions	418 / 265 / 520 mm
Weight	14 kg
Magazine capacity	400
Projectile lengths	65 - 90 mm
Projectile diameter	4,7 à 5,3 mm
Operating pressure	7 à 8 bars
Air consumption	4,10 l/tir
Acoustic characteristics	$L_{wa,1s'}$: 98.38 dB(A) $K_{WA,1s'}$: 2.5 $L_{pa,1s'}$: 93.0 dB(A) $K_{pA,1s'}$: 2.5

■ Application

Timber-framed houses.
Fixing OSB panels to timber frames. Furniture,
cladding.
Pallet production.
CLT panels.

Projectiles

LIGNOLOC®



Lignoloc®
sans tête
58 - 90 mm
Ø 4,7 - 5,3 mm

LIGNOLOC®

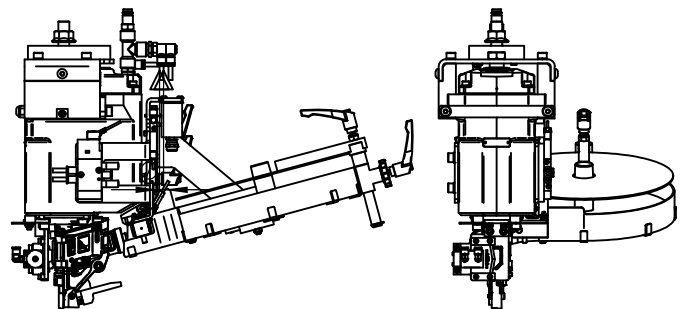
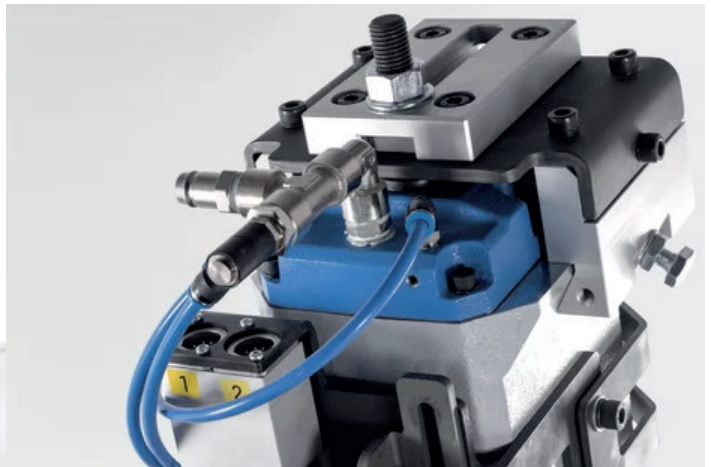
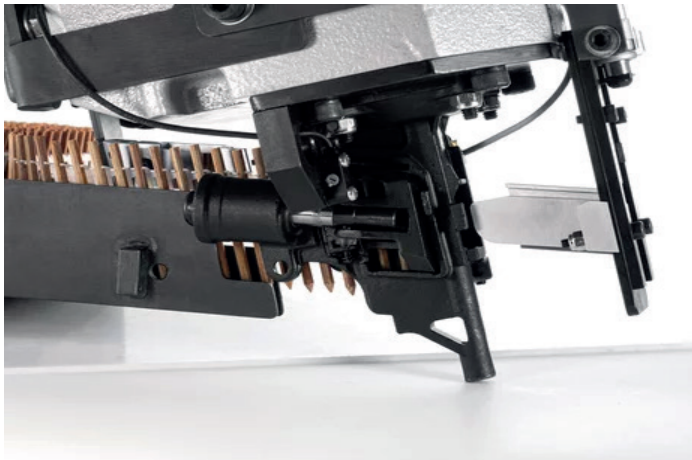


Lignoloc®
avec tête
58 - 78 mm
Ø 4,7 mm



■ **Benefits**

- No pre-drilling
- No need for glue, just weld to the wood structure
- Much faster than a wooden dowel
- Made from European beech wood
- Water-resistant
- Does not work
- Better fire resistance than a metal nail
- No thermal bridges
- No corrosion
- Environmentally friendly
- Easily re-machinable
- Does not damage cutting tools
- Depth adjustment
- Adjustable deflector
- Supplied with cladding end cap



Subject to change without notice. Alsafix cannot be held responsible in the event of installation without prior calculation and testing specific to each case.